
Prediction of corn and lentil moisture content using dielectric properties

Mahmoud Soltani^{*}, and Reza Alimardani

Department of Agricultural Machinery Engineering, Faculty of Agricultural Engineering & Technology, University of Tehran, Karaj, Iran.

Mahmoud Soltani, and Reza Alimardani (2011) Prediction of corn and lentil moisture content using dielectric properties. Journal of Agricultural Technology 7(5):1223-1232.

Almost all properties of grains and seeds depend on moisture content. One of these properties is dielectric constant. Therefore capacitive sensor is used in precision agriculture widely. In this paper, a cylindrical capacitor was used to measure dielectric constant of seed. By measuring the dielectric constant, the moisture content of grains may be predicted. Change in dielectric constant of corn and lentil was investigated as a function of moisture content. Results showed that dielectric constant is highly depended on moisture content at all frequencies. The best results obtained at 100 kHz frequency and 500 kHz for corn and lentil with R^2 of 0.993 and 0.996 respectively. These frequencies may be used to calibrate the instrument for measuring the moisture content of corn and lentil.

Key words: dielectric constant, Instrumentation, Moisture content, seed.

Introduction

Moisture content is the most important physical property of seeds that affects other seed attributes. For example, the coefficient of friction, density and mechanical properties of agricultural products change when the moisture content varies. Also the optimum stage of harvesting severely depends on the moisture content of seed. Various methods were developed to estimate the moisture content of agricultural materials. A typical method is oven drying technique, which is a destructive and time consuming method. Microwave spectroscopy is a suitable technique for determining the moisture content the agricultural goods (Gradinarsky *et al.*, 2006; Kraszewski *et al.*, 1997). The moisture content can also be determined by using neutron moisture gauges, which exploit the dependency of neutron parameters on the average hydrogen concentration (Nagy, 1968).

^{*} Corresponding author: Mahmoud Soltani; e-mail: mahmoodsoltani39@yahoo.com

Infrared and laser light absorption spectroscopy are applied for measurement of the surface moisture content in various substances (Edwards *et al.*, 2001), but these methods need expensive instrument. Capacitive technique is a simple, rapid and low cost method that can be used to determine the moisture content of seeds and grains. Because of these advantages, capacitive sensor is used in precision agriculture. For example, Li *et al.*, (2003) measured moisture content of cookies using dielectric spectroscopy. They used concentric sensor head that designed for localized measurements. It had three electrically separated sensing electrodes that was used as a fringing field sensor or, when had combined with a driving plate, as a parallel-plate sensor. They used 6 volt, 10 Hz to 10 kHz frequency sweep signal and a divider circuit to measure the capacitance of sensor. They reported at the higher frequencies the sensitivity was increased, so they selected 10 kHz to calibrate the system. They calibrated the system based on a linear model, where the functional dependence of capacitance on moisture content was determined. The system allowed for both online moisture content sensing and moisture distribution profile imaging.

Campbell *et al.*, (2005) designed and developed a system based on capacitive sensor for monitoring bees passing through a tunnel that was able to distinguish between entering and exiting bees and provide information on the size and velocity of each bee. Jarimopas *et al.*, (2005) designed and developed an electronic device with a cylindrical capacitive sensor to measure the volume of selected fruits and vegetables. Ragni *et al.*, (2006) used a sine wave radio frequency oscillator with parallel plate capacitor sample probe to predict the quality of egg during storage period. They noted the suggested models enabled to classify samples of shell eggs. Afzal *et al.*, (2010) estimated leaf moisture content by measuring the dielectric constant of leaves in five different types of crops. They carried out experiments on five field crops of maize, sorghum, capsular bean, white bean and sunflower. According to their results, type, amount of ions and the leaf thickness affected the capacitance and produced the error in this method. They reported the coefficients of determination were higher at 100 kHz than at 1 MHz. They observed that the higher the leaf moisture, the more of data points scattered around the best-fit line, although the scattering was more uniform at 1 MHz.

The objective of this study was to investigate the relationship between moisture content and dielectric constant of seeds and develop to a non-destructive and rapid measuring method by using the capacitive sensor for estimating corn and lentil moisture content.

Materials and methods

Sample providing

The required quantity of corn and lentil was provided and cleaned to prepare samples at the five levels of moisture content. At each level, about 100 cc of seeds was provided. The initial moisture content of seeds was determined by oven method (level 3). In order to approach the higher moisture level, to prohibit gemmating, seeds must be placed near the vapor of water, so the samples were exposed in saturated air in an isolated box at 30 °C for 18 hours (level 4) and 36 hours (level 5) respectively. To achieve the lower moisture content level, the oven method was used at 60°C for 24 hours (level 2) and 48 hours (level 1). After providing the samples, they were kept in the refrigerator at 4 °C for 72 hours.

Instrumentation

An instrument based on capacitive technique was designed and developed to measure dielectric constant of seeds at various moisture contents. The block diagram of the designed instrument is shown in Fig. 1. The instrument consists of a signal conditioning circuit, a 10-bit Microcontroller (ATMega 32) interfaced with (16×2) LCD display and sinusoidal function generator (XR2206). Function generator produces a variable magnitude and frequency AC voltage. The produced sine signal is fed to capacitive sensor and output signal from the sensor is sent to signal conditioning circuit. The final output voltage is measured by ADC and the capacitance and dielectric constant of sample is computed by microcontroller and results displayed on LCD. Specific software was developed by C – language for calculations.

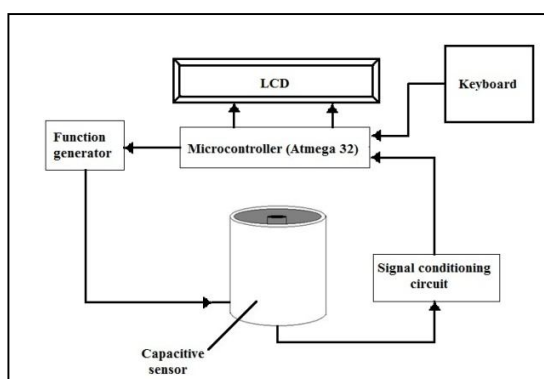


Fig. 1. Block diagram of instrument for measuring the dielectric constant of seeds.

Cylindrical capacitive sensor

Fig. 2. shows the capacitive sensor that used in this research. The electrodes material was selected from aluminum. To avoid any occurrence of conduction, two polyethylene plates were used in construction of sensor. Each electrode was covered by a polyethylene layer with 1 mm thickness.

Dielectric Calculation

The capacitance of a cylindrical capacitor can be calculated by Eq.1.

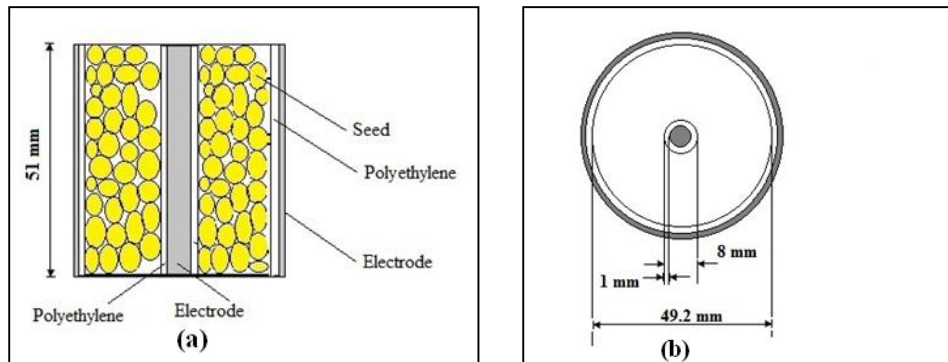


Fig. 2. Cylindrical capacitive sensor filled with seed. (a) Section cut. (b) Top view.

$$C = \frac{2\pi \varepsilon_r \varepsilon_0 h}{\ln\left(\frac{b}{a}\right)} \quad (1)$$

where: ε_r is the dielectric constant of material, ε_0 is the permittivity of air (8.85×10^{-12} F/m), h is the height of material, b and a are the radius of the outer and inner concentric cylinders.

It can be seen that each side of the polyethylene intermediary in Fig. 2 is in contact to the electrode and seed, so polyethylene layer became the series capacitance to the measuring system. The equivalent circuit diagram is shown in Fig. 3. In the diagram, C_{P1} and C_{P2} are the polyethylene capacitance, C_m is the measured capacitance, and C_{eq} is the equivalent capacitance of the sample (C_s) and air gap (C_{air}) that placed among seeds in the container, so seeds and air perform a parallel capacitors. To measure the dielectric constant of polyethylene, a rectangular parallel plate capacitor with polyethylene dielectric material was constructed and its dielectric constant was calculated.

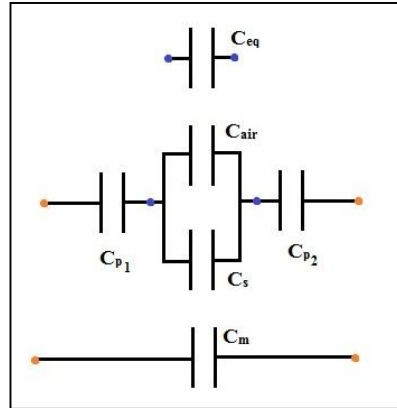


Fig. 3. The equivalent circuit of capacitive sensor.

C_{eq} can be calculated by Eq. 2.

$$C_{eq} = \frac{1}{\frac{1}{C_m} + \frac{1}{C_{p1}} + \frac{1}{C_{p2}}} \quad (2)$$

The ratio of air gap volume to total volume of filled capacitor is defined as porosity (P) of seed, so the height of air gap in capacitor (h_{air}) is $P \times h$ and the height of sample (h_s) is $(1-P) \times h$. therefore:

$$C_{air} = \frac{2\pi \epsilon_0 P h}{\ln\left(\frac{b}{a}\right)} \quad (3)$$

$$C_s = C_{eq} - C_{air} \quad (4)$$

$$\epsilon_s = \frac{C_s \ln\left(\frac{b}{a}\right)}{2\pi \epsilon_0 (1-P) h} \quad (5)$$

Experiments

Dielectric measurement of seeds was carried out at 5 levels of moisture content at 1 kHz, 10 kHz, 100 kHz, 500 kHz and 1 MHz frequencies. After electrical experiments, the moisture content of each sample was measured using oven method. The moisture content (%MC_{db}) is calculated on dry basis by Eq.6. Average porosity of corn and lentil are 0.58 and 0.345 respectively (Bulent Coskun *et al.*, 2010; Amin *et al.*, 2006) All measurements were performed in a laboratory with an average room temperature of 25 °C.

$$\%MC_{db} = \frac{w_w}{w_d} \times 100 = \frac{(w_i - w_d)}{w_d} \times 100 \quad (6)$$

where w_i is the initial weight of sample, w_w is the weight of sample water and w_d is the weight of dried sample.

Microsoft Excel 2007 was used to analyze data and determine the regression models between the studied attributes.

Results and discussion

The measured moisture content (%db) of corn and lentil specimens is presented in Table 1. Acceptable amplitude of variation is observed in moisture content of corn and lentil.

Table 1. Moisture content of prepared samples (%db).

Level	Corn	Lentil
1	6.97	5.47
2	8.35	7.82
3	13.13	10.83
4	16.14	16.55
5	17.88	23.14

The relation between ϵ_s and moisture content (% MC_{db}) of corn is presented in Fig. 4. A high correlation was observed between ϵ_s and % MC_{db} at each frequency. When the frequency of sine wave was increased, a decrease in ϵ_s was occurred. This decrease was more vivid at higher level of moisture content. Also at higher frequencies, the curves are smoother. The best equation that fitted to data was found as a quadratic function.

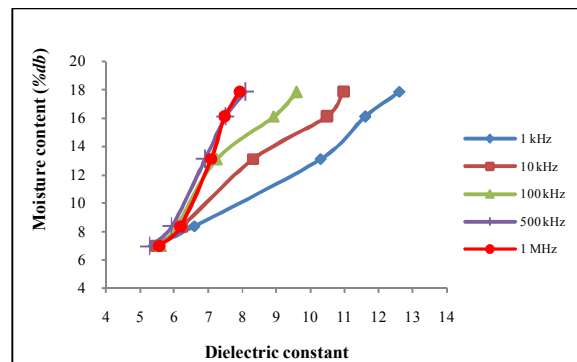


Fig. 4. Change in moisture content versus dielectric constant of corn.

Results of regression analysis are presented in Table 2. The lowest value of coefficient of determination was found at 500 kHz ($R^2 = 0.988$) which is an

acceptable value. It means that quadratic function can be fitted to relation of ϵ_s - $\%MC_{db}$ as well.

Table 2. Results of regression analysis for prediction of corn moisture content.

Frequency	Equation	R ²
1 kHz	$\%MC_{db} = 0.096 \epsilon_s^2 - 0.216 \epsilon_s + 5.41$	0.997
10 kHz	$\%MC_{db} = -0.062 \epsilon_s^2 + 2.956 \epsilon_s - 7.424$	0.993
100 kHz	$\%MC_{db} = -0.376 \epsilon_s^2 + 8.435 \epsilon_s - 28.63$	0.993
500 kHz	$\%MC_{db} = 0.178 \epsilon_s^2 + 1.745 \epsilon_s - 7.581$	0.988
1 MHz	$\%MC_{db} = 0.826 \epsilon_s^2 - 6.235 \epsilon_s + 15.8$	0.989

Fig. 5 shows relation between ϵ_s and moisture content ($\%MC_{db}$) of lentil. A high correlation was observed between ϵ_s and $\%MC_{db}$ at each frequency. At higher frequencies when the frequency of sine wave was increased, a decrease in ϵ_s was occurred. The same results were obtained for lentil. Guo *et al.* (2007) reported a decrease in dielectric constant of apple when frequency of input signal had been increased. The best equation that fitted to data was found as a quadratic function. Similarity between Fig. 4 and Fig. 5 reveals the fact that correlation between $\%MC_{db}$ and ϵ_s approximately are the same for lentil and corn.

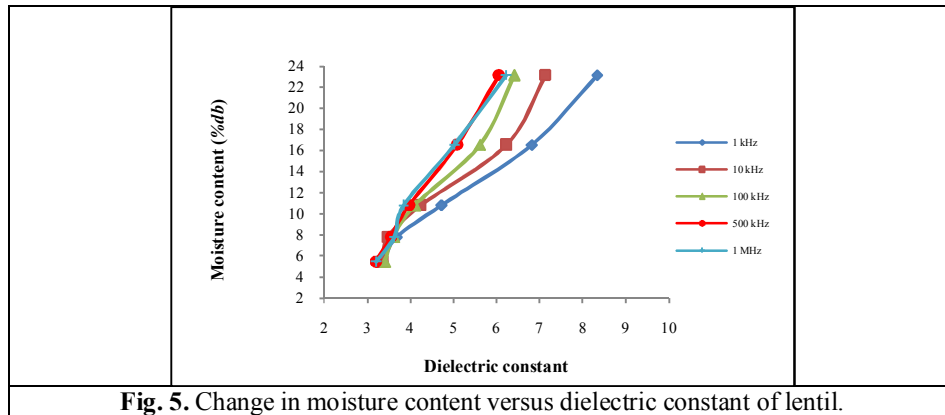


Fig. 5. Change in moisture content versus dielectric constant of lentil.

Results of regression analysis are presented in Table 3.

Table 3. Results of regression analysis for prediction of lentil moisture content.

Frequency	Equation	R ²
1 kHz	$\%MC_{db} = -0.009 \varepsilon_s^2 + 2.667 \varepsilon_s - 3.008$	0.989
10 kHz	$\%MC_{db} = 0.316 \varepsilon_s^2 + 0.834 \varepsilon_s + 0.408$	0.971
100 kHz	$\%MC_{db} = 0.314 \varepsilon_s^2 + 2.284 \varepsilon_s - 4.986$	0.979
500 kHz	$\%MC_{db} = 0.044 \varepsilon_s^2 + 5.643 \varepsilon_s - 12.78$	0.996
1 MHz	$\%MC_{db} = -0.382 \varepsilon_s^2 + 9.396 \varepsilon_s - 20.61$	0.992

The lowest value of R² was found at 10 kHz as 0.971. Although this value was the lowest one, from stand view of statistic, it is an indication of high correlation between ε_s and %MC. A homographic behavior exists between moisture content and dielectric constant of seed. This claiming is substantiated following:

The ratio of water weight to dry material weight of sample is defined as moisture content ($\%MC_{db}$) of seed, therefore:

$$w_w = \rho_w A h_w \quad (7)$$

where: ρ_w is the density of water, A is the base of cylindrical capacitor and h_w is the height of water in capacitor.

$$w_d = \rho_d A h_d \quad (8)$$

where: ρ_d is the density of dry material, A is the base of cylindrical capacitor and h_d is the height of sample's water in capacitor.

Substituting Eq. 7 and Eq. 8 into E.q 6 and setting $\rho_w=1$, the following equation is obtained:

$$MC_{db} = \frac{\rho_w h_w}{\rho_d h_d} = \frac{h_w}{\rho_d h_d} \quad (9)$$

The sample is composed of dry material and water, so these materials perform a pair of parallel capacitors, therefore:

$$\varepsilon_s = \varepsilon_d h_d + \varepsilon_w h_w \quad (10)$$

where: ε_s is the dielectric constant of whole sample, ε_d is the dielectric constant of dry material and ε_w is the dielectric constant of water.

$$h_s = h_w + h_d \quad (11)$$

where: h_s is the height of sample in capacitor.

From Eq. 10 and Eq. 11, it is obtained that:

$$\varepsilon_s = \varepsilon_d (h_s - h_w) + \varepsilon_w h_w \quad (12)$$

$$\varepsilon_s = \varepsilon_d h_s - \varepsilon_d h_w + \varepsilon_w h_w \quad (13)$$

$$\varepsilon_s = \varepsilon_d h_s + (\varepsilon_w - \varepsilon_d) h_w \quad (14)$$

From Eq. 9:

$$MC_{db} = \frac{h_w}{\rho_d h_d} = \frac{h_w}{\rho_d (h_s - h_w)} \quad (15)$$

By simplifying of Eq. 15, h_w is obtained as a function of MC_{db} .

$$h_w = \frac{MC_{db} \cdot h_s \cdot \rho_d}{1 + MC_{db} \cdot \rho_d} \quad (16)$$

By Eq. 13 and Eq.16 the following equation is obtained:

$$\varepsilon_s = \varepsilon_d h_s + \frac{MC_{db}(\varepsilon_w - \varepsilon_d) h_s \rho_d}{1 + MC_{db} \cdot \rho_d} \quad (17)$$

By substituting of $a = \varepsilon_d h_s$ and $b = (\varepsilon_w - \varepsilon_d) h_s \rho_d$, following homographic equation is obtained:

$$\varepsilon_s = a + \frac{b \cdot MC_{db}}{1 + \rho_d \cdot MC_{db}} \quad (18)$$

Eq. 18 is a homographic function, therefore our claim is substantiated.

MS - Excel software dose not have a homographic trend line option, but quadratic trend line can be fitted on homographic function reliably, because the

shape of these functions is similar. For example if the equation $y = 0.25 + \frac{4x}{1 + 0.6x}$

is Figured in Excel software and a quadratic trend line is fitted to it, the R^2 is obtained as 0.99 as shown in Fig. 6.

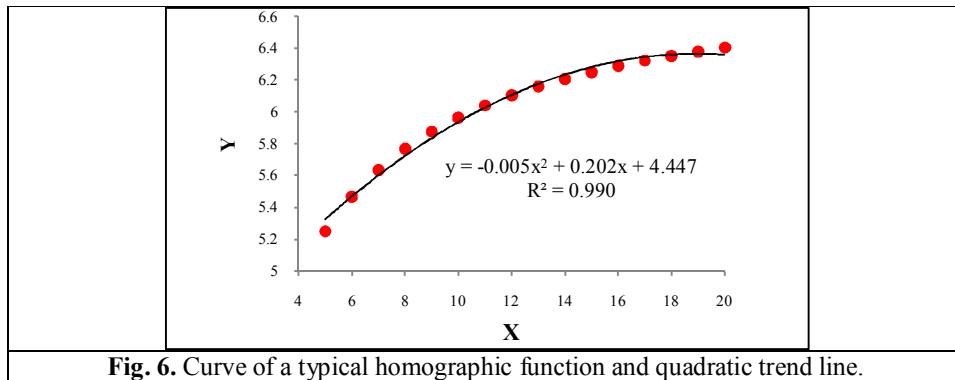


Fig. 6. Curve of a typical homographic function and quadratic trend line.

Conclusion

To investigate change in dielectric constant of corn and lentil as a function of moisture content, an instrument was designed and developed. Relation between dielectric constant and moisture content was extracted and quadratic trend line was fitted to data. The results were obtained as it is expected. Dielectric constant changed as homographic function when moisture

content varied. By this method, the moisture content of seeds and grains can be predicted reliably.

References

- Afzal, A., Mousavi, S. F., & Khademi M. (2010). Estimation of leaf moisture content by measuring the capacitance. *Journal of Agricultural Science Technology*, 12, 339-346.
- Amin, M. N., Hossain, M. A., & Roy, K. C. (2004). Effects of moisture content on some physical properties of lentil seeds. *Journal of Food Engineering* 65: 83–87.
- Bulent, C., Yalc, I., & Cengiz, O. (2006). Physical properties of sweet corn seed (*Zea mays saccharata* Sturt.) *Journal of Food Engineering* 74: 523–528.
- Campbell, M. J., Dahn, D.C., & Ryan, D. A. J. (2005). Capacitance-based sensor for monitoring bees passing through a tunnel. *Measurement Science and Technology* 16: 2503–2510.
- Edwards, C., Barwood, G., Bell, S., Gill, P., & Stevens, M. A. (2001). Tunable diode laser absorption spectrometer for moisture measurements in the low parts in 109 Range. *Measurement Science and Technology* 12: 1214-1218.
- Gradinarsky, L., Brage, H., Lagerholm, B., Björn, I., & Folestad, S. (2006). In situ monitoring and control of moisture content in pharmaceutical powder processes using an open-ended coaxial probe. *Measurement Science and Technology* 17: 1847-1853.
- Jarimopas, B., Nunak, T., & Nunak, N. (2005). Electronic device for measuring volume of selected fruit and vegetables. *Postharvest Biology and Technology* 35: 25–31.
- Kraszewski, A., Trabelsi, S., & Nelson, S. (1997). Moisture content determination in grain by measuring microwave parameters. *Measurement Science and Technology* 8: 857-863.
- Li, X., Zyuzin, A. S., & Mamishev, A. V. (2003). Measuring moisture content in cookies using dielectric spectroscopy. *Proceeding of IEEE Conf. on Electrical Insulation and Dielectric Phenomena*, 19-22 October 2003, Albuquerque, New Mexico, PP: 459-462.
- Nagy, A., & Vertes, P. (1968). Correction for dry bulk density in measurements with neutron moisture gauges. *Journal of Scientific Instruments* 2 (1) 1097-1100.
- Ragni, L., Gradari, P., Berardinelli, A., Giunchi, A., Guarnieri, A. (2006). Predicting quality parameters of shell eggs using a simple technique based on the dielectric properties. *Biosystems Engineering* 94 (2) 255–262.

(Received 6 March 2011; accepted 5 August 2011)